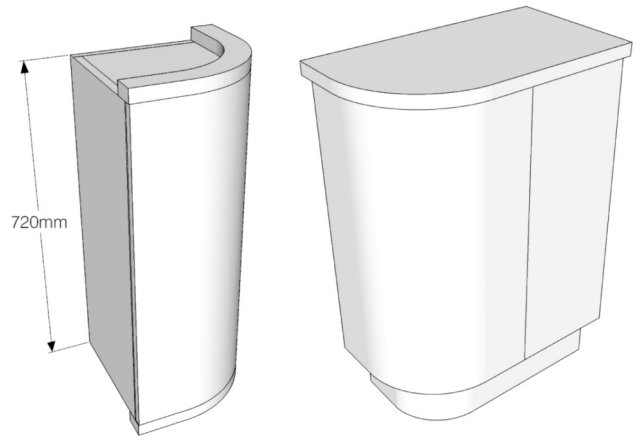


# Small curved door

- Small curved door to suit 300x300mm base or wall cabinets.
- Overall door details, door height 715mm (895mm high door is also available in some ranges, please check price list.)
- For 'quick glance' range availability see curved door and drawer selection on pages 17-20, or refer to price list for full listings.
- For in-frame carcass specification, please refer to the 'In-frame application guide'.
- Matching plinth block, modern cornice and lighting pelmet available.

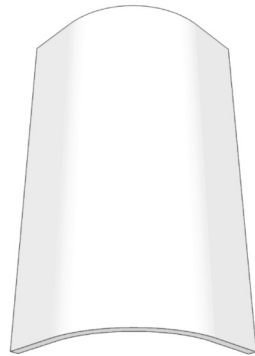


A carcass jig is available - CCJIGTIM

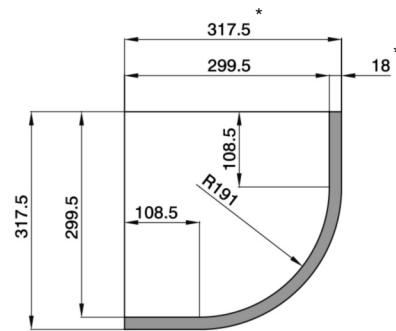
## DOOR AND CABINET DETAILS

### Door height 715mm

895mm high door available in some ranges, please check price list for availability

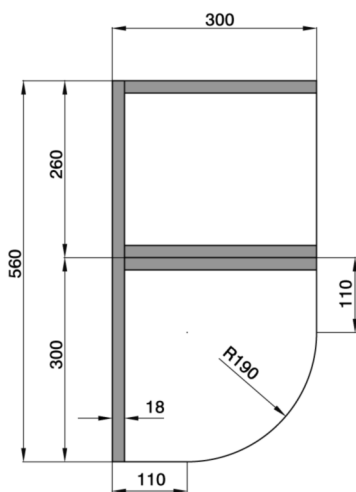


DIMENSIONS SHOWN IN MM

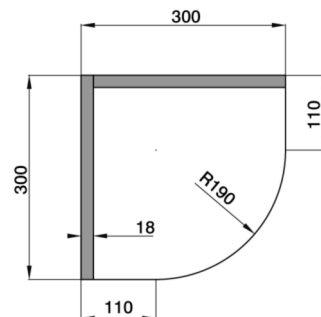


### Door dimensions

\*Dimensions vary per range and thickness of door



Recommended full depth cabinet for small curved door and 257mm door (base unit)



Recommended cabinet for small curved door (wall unit)