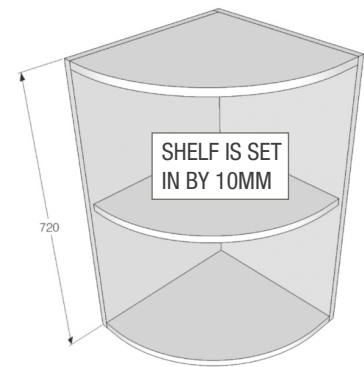


# Curved panel door

- Door details, door height 715mm.
- For 'quick glance' range availability see curved door and drawer selection on pages 17-20, or refer to price list for full listings.
- Matching plinth block available.



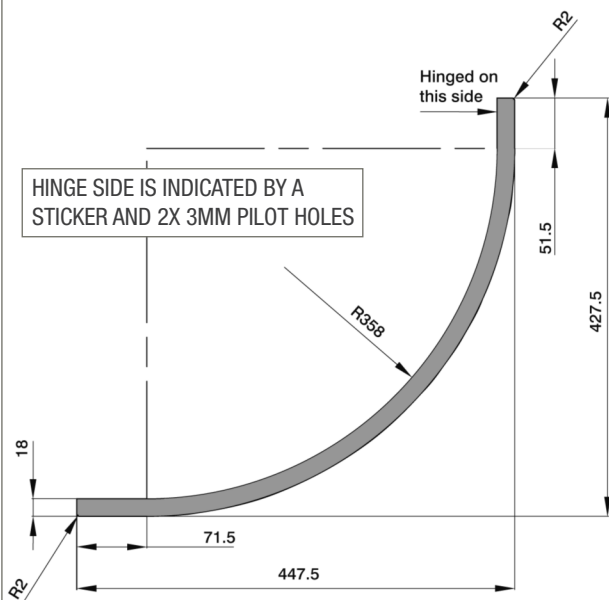
A carcass jig is available - CCJIG

## DOOR AND CABINET DETAILS

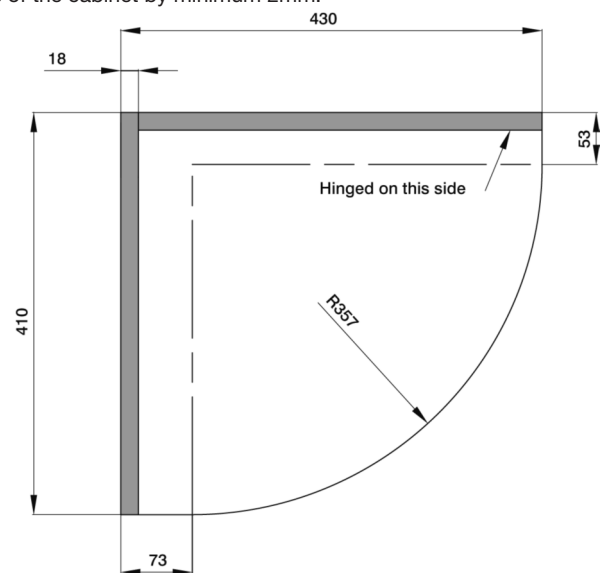
DIMENSIONS SHOWN IN MM

**Doors that are drilled incorrectly cannot be exchanged or refunded.**

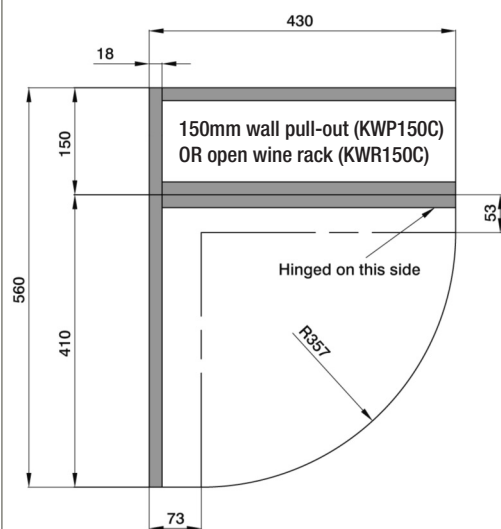
Due to tolerances on curved doors in some cases the door may bind against the cabinet. To overcome this we recommend reducing the top and bottom panels of the cabinet by minimum 2mm.



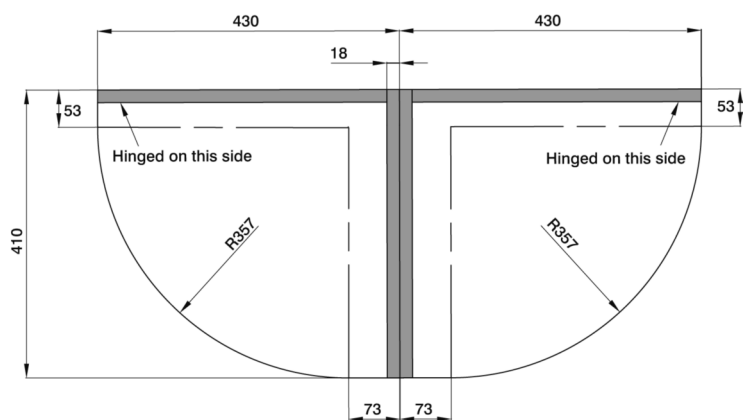
Overall door details, door height 715mm)



Recommended single curved cabinet



Recommended full depth cabinet



Recommended double curved cabinet